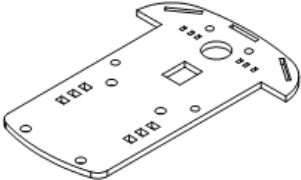


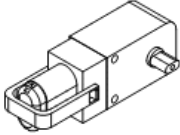
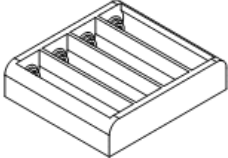
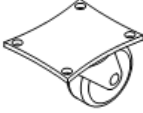
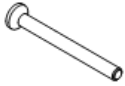
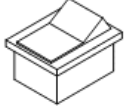




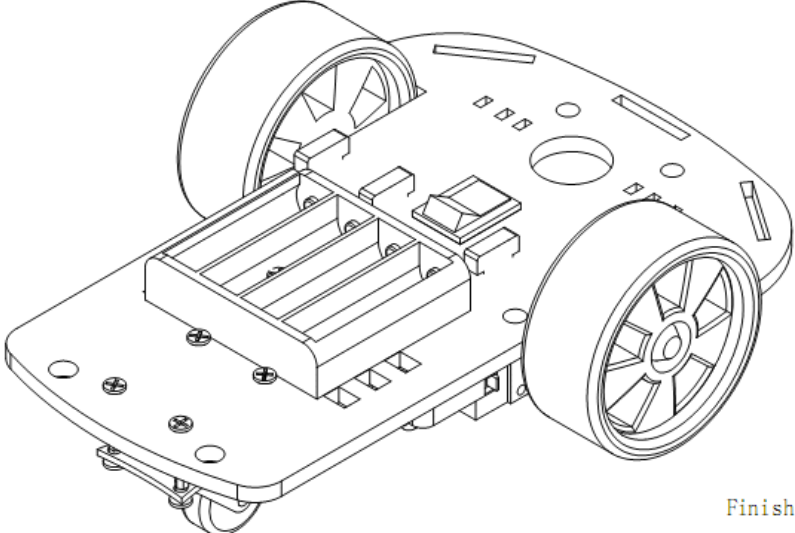


|  |  |  |
|--|--|--|
|  <p>Chassis 1PC</p>             |  <p>Wheel 2PCS</p>     |  |
|  <p>Speed board holder 2PCS</p> |  <p>Motor 2PC</p>      |  |
|  <p>Battery holder 1PC</p>      |  <p>Omni wheel 1PC</p> |  |
|  <p>M3*30 screw 4PCS</p>        |  <p>Switch 1PCS</p>     |  <p>Motor holder 4PC</p>  |
|  <p>M3*10 screw 8PCS</p>      |  <p>M3 nut 8PCS</p>   |  <p>L12 spacer 4PCS</p> |
|  <p>Finished</p>             |  |  |

